



### Presentation

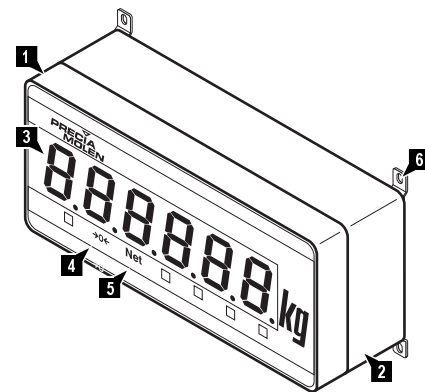
- Housing consisting of a silver painted, cast aluminium (AL Si 12) body (1) and frame (2).
- 6 Display segments (3) with decimal point (h = 57 mm).
- 7 Status indicators, of which particularly:
  - zero balance (4),
  - net weight display mode (5).
- Connection cables enter into the housing through (stainless steel) cable glands at the bottom of the housing and are connected at the inside with screw terminals.
- Supply includes 4 brackets (6) for wall mounting purposes\*\*.

### General information

The ABC 57 slave weight display unit has been designed for all industrial applications where a good readability and a perfect resistance against harsh industrial environments and climatological conditions is required.

Its display screen, composed of six 57 mm high numerical digits, allows its reading from a large distance and has a great luminosity, so that it can be read even under the most unfavorable external lighting conditions.

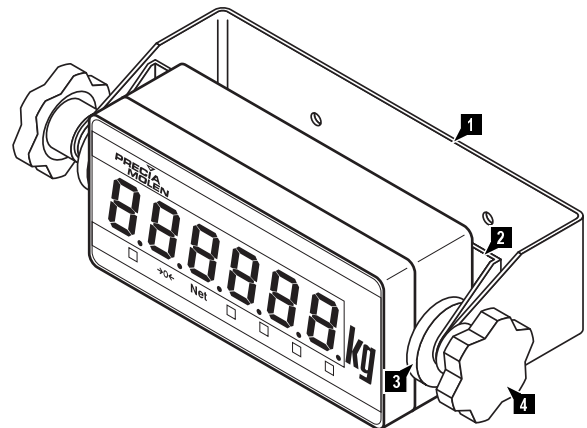
The concept of its mechanical part, tight housing and electrical connections with stainless steel cable glands, assures an ideal tightness degree (IP65) and an excellent resistance against corrosion, so that it can be used in all types of industrial environment.



- The optional wall mounting kit contains:
  - one wall mounting plate (1)\*\*\*,
  - two angle shaped mounting plates\*\*\*\* to fix the housing to the back plate (2),
  - two knurled knobs (3) with friction washer (4) and threaded axle.

### Main applications

The standard model of the ABC 57 is equipped with RS232, RS422 and RS485 serial interfaces as well as with the PRECIA-MOLEN bus, so that it is suitable for connection to all PRECIA-MOLEN indicators in new and existing installations.



### European Conformity

- Directive 72/23/EC concerning *Low Voltage Equipment*
- Directive 89/336/EC with respect to *Electro-Magnetical Compatibility\**

\* Respect of this directive is directly linked to the correct installation of the slave display.

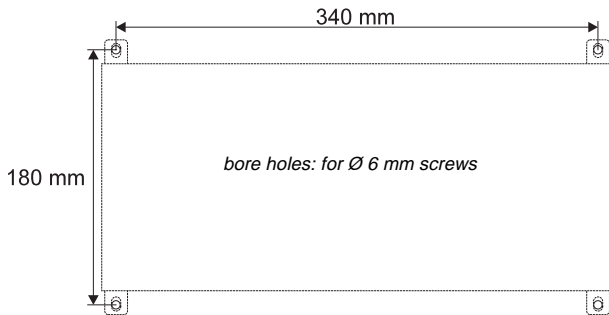
\*\* The supply includes the screws to fix the brackets to the housing. The screws for fixing the unit against the wall are not included.

\*\*\* Wall mounting screws not included.

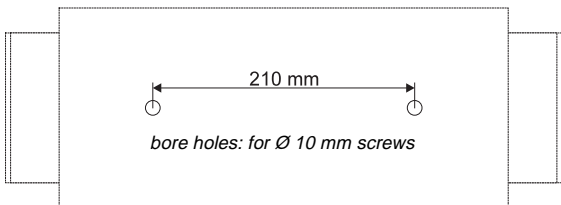
\*\*\*\* The 4 screws to fix the angle plates on the housing are included in the supply (bracket fixation screws).

**Physical characteristics**

- Weight ..... appr. 4,7 kg
- Dimensions :
  - Width ..... 360 mm
  - Height ..... 160 mm
  - Depth ..... 110 mm
- Wall mounting kit (standard dimensions)



- Swivel wall mounting kit (optional):



**Electrical characteristics**

- Power supply
  - Voltage ..... 230 V
  - Frequency ..... 50 Hz
  - Power consumption max. .... 40 VA

**Environment**

- Temperature range
  - Operation ..... - 10 °C / + 50 °C
  - Storage ..... - 20 °C / + 70 °C
- Tightness ..... IP 65
- Luminosity
  - Display segments ..... 20 000 µcd
  - Status indicators ..... 7 000 µcd

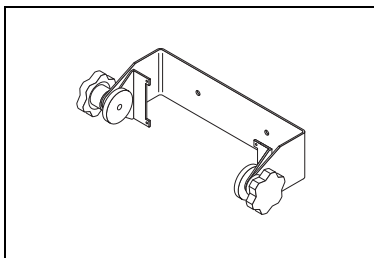
**Interface**

- PM Net bus or serial communication:
  - IND1 protocol\*,
  - slave display protocol,
- RS 232, RS 422 or RS 485 interface (configured with switches) :
  - Baud rate: automatically detected (1200, 2400, 4800, 9600 or 19200 baud),
  - Transmission format: 7 start bits / even parity / 1 stop bit.

\* Available from october 1998.

**Options & Accessories**

■ Wall mounting kit



■ Other options & accessories

- Connection cable.
- External adaptation for serial connection with 20 mA CL.

**Your specialist**



Illustrations are not contractual. Precia-Molen reserves the right to modify at any moment, without prior notice, the information contained in this leaflet

*Office and factories*

BP 106 - 07000 Privas - FRANCE  
 Tél. 33 (0) 475 664 600  
 Fax 33 (0) 475 658 330  
 E-MAIL webmaster@preciamolen.com  
 RCS : 386 620 165 RCS Aubenas

