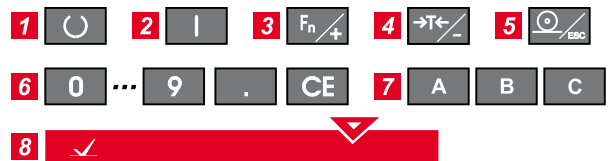


Composition

Housing

- Double walled stainless steel housing.
- Standard supply includes swivel bracket for wall, column or table top installation.
- Integral power supply unit (standard) or rechargeable battery (option).
- External connection for Interface modules.

Keyboard with 21 tip-touch keys



1. Off.
2. On.
3. Other functions set by configuration.
4. Taring, zeroing or combined taring/zeroing set by configuration.
5. Print key.
6. Numeric keyboard with decimal point and Clear-Entry key.
7. Multi-functional keys to set the function and control the weighings.
8. Function bar defined by configuration (most currently used function called "Genius key").

Operation of the I 200 M-S is via 3 multi-functional keys and a display screen. The display screen can visualise the results of the current weighing operation and also the totalised results of the previous weighing or of the weighings of the current series.

Back-lit red LED display screen

- Metrological data of the current weighing operation.
- Calculated data of the current weighing operation.
- Totalised data of all weighings of the current series of weighings.

Interfaces

The I 200 M-S has an RS 232 interface as standard, this interface may be replaced or complemented by one of the interface options listed below:

- Second weight input for dual scale operation,
- RS 232,
- RS 422 / 485,
- parallel I/O: 2 inputs / 4 outputs,
- analogue weight output 4-20 mA.

General

The I 200 M-S is the simple weighing terminal of PRECIA-MOLEN's new I 200 range of indicators. It is configurable and is easily adapted to fulfil your weighing needs.

Compared to other basic weight indicators the I 200 M-S offers additional functionality such as:

- simple weighing: receipt, shipment, transport, etc.,
- parts counting for stock taking, etc.,
- formula weighing: in mixing processes, in production lines, to determine weight increase or decrease, etc.,
- tolerance checks: in sorting processes and for checking on over or underweight,
- weighing of live animals,
- density calculation, conversion to other units of measurement, etc.

Memory store for a maximum of 10 pre-set tare values.

Option: the I 200 M-S may be equipped with a DSD Data Storage Device recording the key data of all weighings performed, this eliminates the need to connect a monitoring printer to the scale.

Manufactured entirely from stainless steel construction (304 L), with an Industrial Protection rating of IP 65*, the I 200 M-S is suitable for use in the most severe industrial environments meeting all the appropriate hygiene and cleaning requirements as stipulated by the agri-food, chemical and pharmaceutical industries, etc.

A wide range of interfaces, peripheral equipment and accessories allows optimum integration of this indicator into an existing installation.

Metrological approval

- Test certificate LNE 01-03.
- Mentioned in EC type approval certificate X201-A, nr F-01-A-005

European directives

- Directive 90/384/EC relating to *Non-automatic Weighing Instruments*
- Directive 89/336/EC relating to the *Electro-magnetic Compatibility*
- Directive 73/23/EC relating to *Low Voltage Equipment*

* Connections according to IP 67

Physical characteristics

- ▣ Dimensions
 - Width 247 mm
 - Height 231.3 mm
 - Depth 97 mm
- ▣ Dimensions for wall or table top installation (using standard mounting parts):
 - Width 247 mm
 - Height 231.3 mm
 - Depth 148.2 mm

Electric characteristics

- ▣ Integral power supply unit:
 - Mains voltage 190 - 250 V
 - Frequency 48 - 51 Hz
 - Power consumption 15 VA max.
- ▣ Integral battery (option):
 - Operation duration w/out back-lit display .. 20 h
 - Operation duration with back-lit display 10 h
 - Charging time 8 h

Metrological data

	TRADE	Non Trade
▣ Accuracy class (for Trade use only)	III	-
▣ Sensitivity per division	0.5 µV	0.1 µV
▣ Maximum number of divisions		
▣ single range	6 000	30 000
▣ dual range	2 x 3 000	-
▣ Load cell excitation	5 V dc	
▣ Load cell impedance		
▣ minimum	48 Ω	
▣ maximum	1 000 Ω	
▣ Maximum length of load cell signal cable	150 m	
▣ Error spreading factor (pi)	0.5	-

* Option: 12,000 or 48,000 records.

Environmental conditions

- ▣ Temperature range
 - Operation - 10 °C / + 40 °C
 - Storage - 20 °C / + 60 °C
- ▣ Industrial Protection rating IP 65

File data

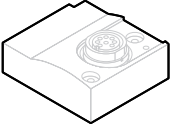

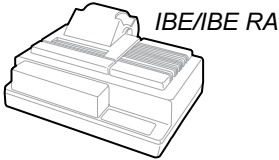
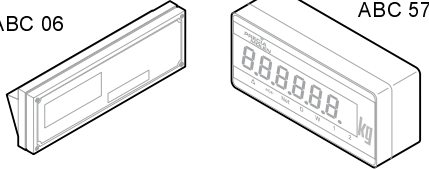
- Data Storage Device (DSD)
- ▣ Maximum number of weighing records 48,000*

Each record contains: DSD number, gross, tare, net weight, pre-set tare, type of weight printed out and transmitted per protocol, weight unit and weighing serial number.

Standard extent of supply

- ▣ Indicator with integral power supply unit, weight input and RS 232 interface.
- ▣ Swivel bracket for wall or table top installation.
- ▣ User manual.
- ▣ Set of sealing parts and metrological logbook (*depending on the country of destination*).

Options & Accessories

<p>▣ Interfaces</p>  <ul style="list-style-type: none"> • Second weight input • RS 232 • RS 485 • Parallel I/O • Analogue weight output 	<p>▣ Mounting parts</p> <ul style="list-style-type: none"> • Column (H = 525 mm)  <ul style="list-style-type: none"> • Panel mounting kit 	<p>▣ Printers</p>  <p>▣ Slave displays</p> 	<p>▣ Functional accessories</p> <ul style="list-style-type: none"> • Rechargeable battery • Date/time • Date/time + Data Storage Device (DSD) <p>▣ Other accessories</p> <ul style="list-style-type: none"> • Battery cable • Connection cable for peripheral equipment (3, 6, 12, 24 and 36 m)
---	--	---	--

Your weighing specialist

Illustrations are not contractual. Precia-Molen reserves the right to modify at any time, without prior notice, the information contained in this leaflet.

Offices and Factory
 P.O. Box 106 - F 07000 Privas - France
 Tel. 33 (0) 475 664 600
 Fax 33 (0) 475 658 330
 E-MAIL webmaster@preciamolen.com

RCS : 386 620 165 RCS Aubenas

